

NEW



Construction

Coal

Forestry

Foundry

Arctic

TD-25M

CRAWLER DOZERS

Road & Highway

Mining & Aggregates

Landfill

TD-25M Series-1

with all new cabin designed to make hard work easy on the operator

Operator safety and comfort are essential elements of worksite productivity. A comfortable operator is less easily fatigued, more efficient and more productive. Meet the new TD-25M Series-1 with an all new cabin offering industry leading features so that the operator can focus on the job with confidence.

The cab has a functional design to keep the operator engaged on the job. Operators will enjoy the newly added features that allow exceptional in-cab comfort.

WHAT'S NEW ?

- ▶ Larger Cab & More Space Inside
- ▶ Wider doors for improved access
- ▶ Tapered engine hood for improved visibility
- ▶ 33% more glass surface
- ▶ New pressurized cab granting lower noise and no dust ingress
- ▶ Reduced in-cab noise level to 78 dB(A)
- ▶ Reduced vibration levels
- ▶ Improved Climate Control Settings
- ▶ Further enhanced serviceability thanks to improved hydraulic system with new hose & pipe routing

OPERATORS FIRST

Climb into the cab of the new TD-25M and you can see that it has been designed with the operators in mind to keep them more comfortable and more productive.



New high resolution
7 inch

LCD

display screen with
rugged design for
extreme environments



IMPROVED CLIMATE CONTROL SETTINGS

Thanks to new climate control panel with new features and settings & 9 air outlets, the operator is granted with maximum control over internal cab climate conditions.

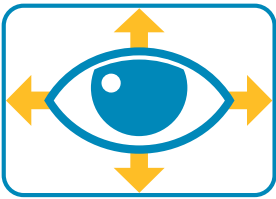


FIRST-CLASS SEAT

The all new air-suspended high back seat comes with head rest, empty seat sensor & belt sensor to increase operator safety. It is adjustable to operator`s weight and sitting position and now is equipped with fully adjustable arm rests (Up/Down & Forward/Reverse). It is angled to the right hand side by 15 degrees to reduce

Excellent visibility for maximum command and control

Visibility is everything when it comes to jobsite productivity. New TD-25M Series-1 delivers industry leading visibility for maximum command and control. Oversized cab is spacious and has all the key features to make dozer operation as safe and comfortable as possible, boosting operator efficiency shift after shift.



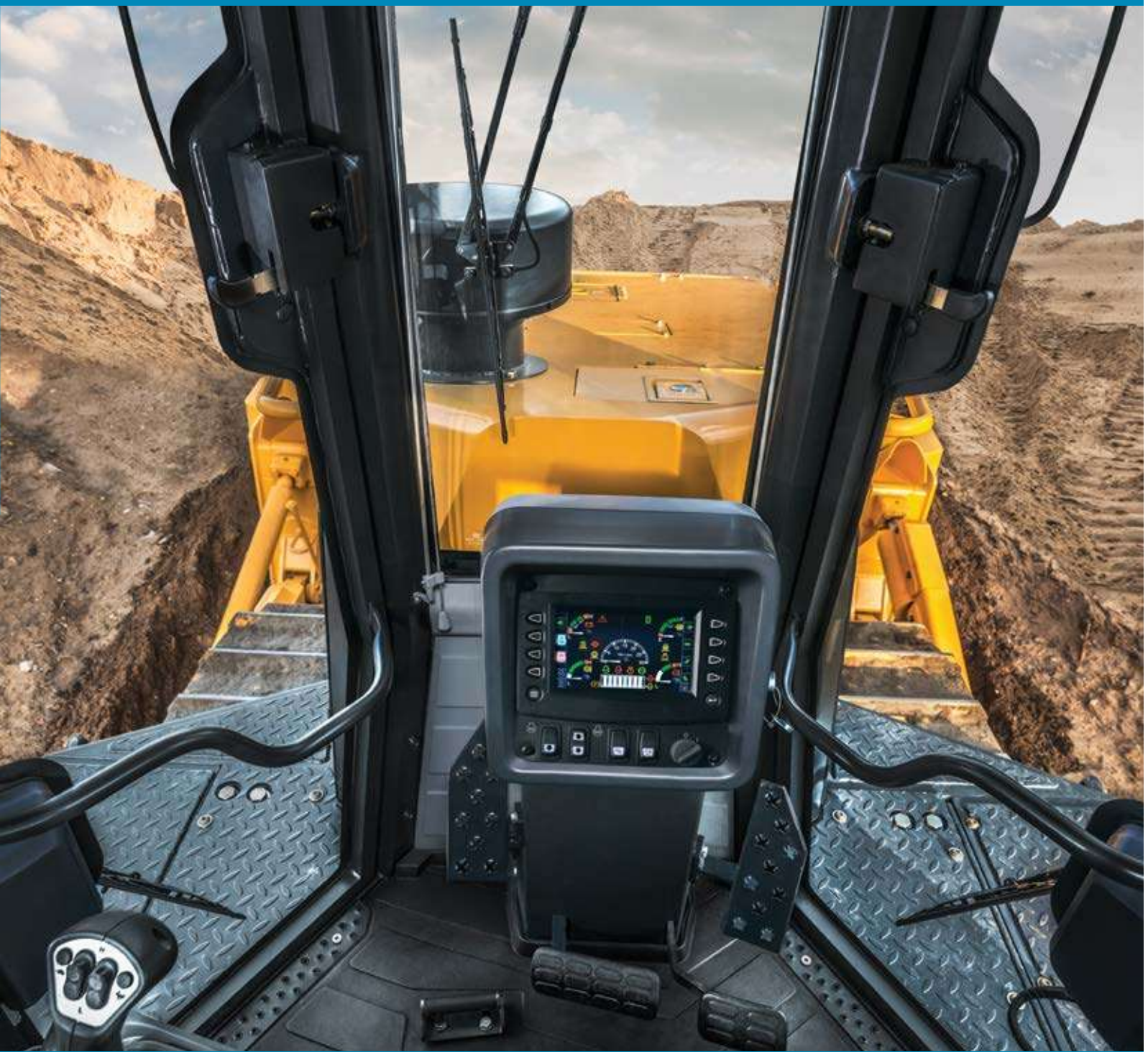
+33% MORE ALL-ROUND VISIBILITY

- ▶ 4.49 m² glass surface for superior visibility
- ▶ Integrated ROPS/FOPS structure minimizing blind spots
- ▶ Lowered side window position to improve visibility of track chains
- ▶ New design tapered engine hood and side panels with hinges

Thanks to redesign of fuel & oil tanks, 15 degrees angled seat, rear view camera and additional ripper light, the new TD-25M Series-1 offers

**UNRIVALLED REAR
VISIBILITY**





See More, Do More

The cab provides clear view to the blade and ripper working areas and the entire job site, with a direct line of sight to the cutting edge, making it easy to follow the flow of material under the blade.

Making light work of heavy duty tasks


You can rely on Dressta's TD-25M when your business needs equipment that is durable, productive and backed up by a global network. The TD-25M is a proven, productive and versatile dozer, engineered to deliver dependable results.

HEAVYWEIGHT PERFORMERS

Engineered for productivity, safe operation, reliability and long life, the Dressta TD-25M is the dozer of choice for industry professionals around the world.

TD-25M delivers total life time value:

1. The TD-25M features a powerful 277 kW (370 net HP) Cummins QSX15 engine that delivers steady torque and power for efficient dozing and ripping.
2. Unique 2-speed steering drive for continuous transfer of 100% engine power to both tracks, resulting in better load retention through turns.
3. The rugged undercarriage design allows for maximum durability and smooth, stable operation.
4. High efficiency cooling system suitable for all climate conditions. The TD-25M can operate in ambient temperatures between -40°C and +60°C.
5. Lifetime lubricated rollers, heavy duty chains and idlers ensure extended track life for lower operating cost.
6. Reliable power shift transmission and steering drive clutches, with 6 forward / 6 reverse travel speeds and high drawbar pull.
7. Travel speed preselection and automatic down-shifting mode for greater operator efficiency.
8. Options for GPS fleet management systems.
9. Options for Trimble Ready & Trimble 3D grade control systems.
10. Ergonomically designed cab with deluxe seat, sound suppression and responsive controls, and the safety of integrated 2-post ROPS.
11. Exceptional all-round visibility, with clear line of sight to blade corners.
12. Conveniently placed steps, handholds and foot grips for easy and safe access.
13. Easily accessible diagnostic check ports, filters and sight gauges for quick and simple serviceability.
14. Class-leading blade capacities to get the job done faster. Available with Semi-U blade (Standard), Full-U blade, Coal blade and Angle blade.
15. Modular component layout to make servicing and maintenance quicker, easier and cheaper.



From its robust design, ready to tackle even the toughest construction or mining task, to its ease of operation and the unparalleled support of the global Dressta network, the TD-25M is in a class of its own.

ENGINE POWER

277 kW

377 hp

BLADE CAPACITY

5.7 - 21 m³

7.4 - 27.5 yd³

OPERATING WEIGHT

41,250 -
41,500 kg

90,940 -
91,491 lb



Engineered for productivity & built to last

Productivity equals profitability.

The TD-25M balance-to-weight ratio provides unrivalled tractive effort to power through any task.

Powered by a turbocharged Cummins X15, 277 kW (377 hp) in-line engine, the TD-25M is compliant to EPA Tier 4 final/EU Stage V emissions regulations (also available as EPA Tier 3/EU Stage IIIA with Cummins QSX15 engine).

The combination of Cummins expertise with the latest heavy-duty diesel design delivers higher peak torque and exceptional fuel efficiency, so you can take on even the biggest jobs with confidence.



A dependable Cummins engine offers a high-pressure common-rail fuel system ensuring optimum, efficient performance while after-treatment technology including oxidation catalyst, diesel particulate filter, selective catalytic reducer, and AdBlue (DEF) injection and control system keeps the engine running clean.



DRAWBAR PULL

A maximum of 794 kN drawbar pull means you can rip and move more material per hour.

COOLING SYSTEM

Modular design of the radiator, aftercooler, drive line and hydraulic oil coolers make the system easier to access and maintain, including regular cleanout, while the open fin design allows debris to pass through without clogging.

A hydraulic fan automatically reduces speed when demand is lower, resulting in improved fuel efficiency. An optional reversible fan provides maximum radiator cleaning performance while you work.

AUTO DOWNSHIFT FOR UNINTERRUPTED PRODUCTIVITY

Auto downshift allows smooth operation and improved cycle times. The controller automatically downshifts when peak load is achieved, optimizing gear speed and providing maximum tractive effort with improved fuel efficiency.

PRESET TRAVEL SPEED SELECTION

Preset modes make it easy to work by improving cycle times by eliminating manual gear changes whilst reducing operator fatigue.

The operator can select from two preset modes:

- Forward direction first gear and reverse in second gear, ideal for fast cycle times in rough dozing; and
- Forward direction in second gear and reverse in second gear, for lighter operating.

2-SPEED STEERING SYSTEM

The exclusive 2-speed steering drive allows full power to be delivered to both tracks at all times. This ensures vastly improved traction to push full loads effortlessly through turns, quickly and smoothly.

TRAVEL SPEEDS

Highest speed for the appropriate application, 6-forward / 6-reverse speeds mean easy, precise control for faster travel and higher work productivity. The operator can easily select the highest travel speed for the job or adjust for particular applications or conditions.

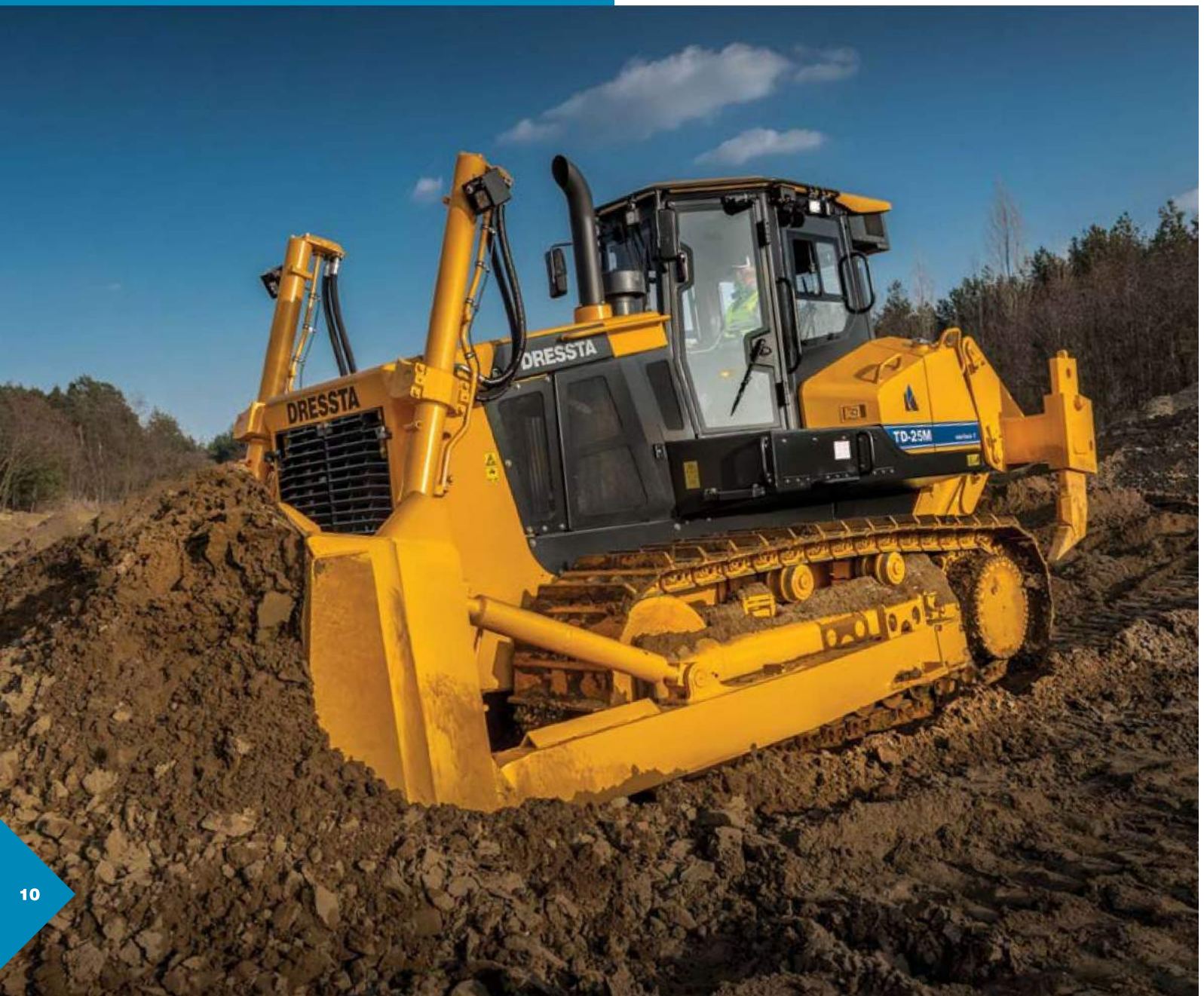
TORQUE CONVERTER

The reliable and proven Dressta Torque Converter makes the operator's job easier by automatically adjusting the speed of the dozer to load variations that fluctuate during the work cycle.

All round heavy duty design

Dressta's heavy duty undercarriage is engineered for durability and performance in tough applications from rocky terrain to stock piles, slopes and land clearing.

The TD-25M mainframe utilizes high grade box section construction, robust steel castings and is engineered to absorb heavy peak loads and twisting forces. Two independent pivot shafts are bolted to the main frame casting for ease of maintenance and are mounted in front of the sprocket to protect the final drive assemblies from blade induced shock loads.



A massive one-piece frame, high strength pivot shaft and exclusive undercarriage design provide maximum durability and suspension while giving the operator a smooth, stable ride.



UNDERCARRIAGE

The TD-25M has a low drive undercarriage which lowers the centre of gravity for exceptional stability and safe operation even on high sided slopes. Oscillating track frames reduce shock loads, enhance durability and smooth travel while improving grade ability.

Dressta's Lubricated Track System (LTS) is engineered to:

- Reduce sprocket and external bushing wear.
- Eliminate track link counter bore wear and reduce chain warp or twisting.
- Increase track roller and idler life.
- Quieter track chain operation.

TRACK SHOES

A range of track shoe widths helps perfectly match the TD-25M to all types of ground conditions. 560 mm (22 in.) single grouser track shoes are standard. Options include 610 mm (24 in.), 660 mm (26 in.) clipped corner and 711 mm (28 in.).

UNDERCARRIAGE MOUNTING SYSTEM

The undercarriage mounting system keeps track frames in alignment allowing them to oscillate vertically while preventing toe in and toe out. The flexible equalizer bar is pinned at the center, while the ends of the bar rest on pads located at the top center of each track frame.

Such design allows the track frames to oscillate in a true, vertical manner, moreover it eliminates the need of lubricating the equalizer bar end pins.



Attachments for productivity & utilization

A great dozer can only deliver great results with the right attachments. Dressta's robust blades and rippers are designed to power through even the toughest of materials and are suited to a wide range of applications.





BLADES

For blades, size equals productivity. The Dressta standard Semi-U blade with 9.6 m³ (12.5 yd³) capacity is one of the largest in its class. Dressta blades have an 8% advantage over their nearest rival, while its high capacity blades are designed to power through even larger jobs.

Dressta blades are designed to provide a balance between fine-light dozing and aggressive heavy material movement. This enables the TD-25M to perform better over a broader variety of applications.

Blades are designed for increased capacity and incorporate full-width cutting edges for prolonged durability. Blades can be equipped with a hydraulic tilt or tilt/pitch option and a manual blade pitch adjustment which makes the dozer even more versatile.

Double tilt and pitch control buttons are used for precise and easy change of the blade position.

The Dressta standard Semi-U Blade design combines the penetration ability of a straight blade with increased capacity. It is ideal for heavy duty applications like mining and road construction.

The 11.5 m³ (15.0 yd³) Full-U Blade provides high volume movement of light non-cohesive materials.

The Angle Blade is designed for all dozing applications, including side casting.

The 21 m³ (27.5 yd³) Coal Handling Blade ensures increased productivity with length, height, and wing angles developed specifically for high production coal dozing and bulky low density materials. Extended end plates help contain loads and eliminate side spillage.

To increase productivity and reduce spillage of loose and light materials above the blade, Dressta offers spill guard both for Semi-U and Full-U blades.

RIPPER

An adjustable parallelogram multi-shank ripper offers excellent 760 mm (29.9 in.) penetration.

The single shank ripper option offers a standard shank with 1,250 mm (49.2 in.) penetration and a deep shank option with an exceptional 1,700 mm (66.9 in.) penetration, allowing the full use of the 794 kN (178,498 lbf) drawbar pull force to be transferred to the ripper.

As an option, for ease of operation, a hydraulically controlled ripper shank pin puller can adjust ripper penetration depth.

Both the single and multi-shank rippers are equipped with four large cylinders (177.8 mm / 7 in. diameter), two for pitching and two for rising and lowering. The angle of the attack of the ripper shank, can be changed with ease to match the ripping conditions.



Work your way to achieve your goal

Different jobs have different requirements, but Dressta makes it easy for you to get the best result in any operation by designing versatile equipment, and working directly with customers to meet their special requirements.



Talk to Dressta about TD-25M Special Feature Requests. If different applications require unique attachments, components or design specifications, Dressta will work with you to maximise the operational efficiency of your machines.

THE TD-25M IS IDEALLY SUITED TO A RANGE OF APPLICATIONS INCLUDING:

ARCTIC

Dressta dozers have been refined for supreme performance in arctic conditions. Machines are equipped to perform in extreme temperatures as low as -40°C for extended periods of time.

CONSTRUCTION / ROAD & HIGHWAY

Powerful TD-25M dozers have the muscle to take on any construction challenge, from ground breaking through to final grade.

COAL HANDLING

Dressta's large dozers are routinely chosen for use in challenging coal handling applications that run 24/7, such as power generation and steel production.

FORESTRY

Dressta's dozers are available in a range of configurations with features to excel in challenging forestry environments. Talk to Dressta about performance specifications for a range of Special Feature Requests including winches, cab protection, track options, fire suppression, auxiliary hydraulics and more.

FOUNDRY

Dressta's large dozers are built to survive and thrive in a range of industrial applications. One of the most testing scenarios is the handling of hot materials such as iron slag. The Dressta application pack includes reinforced blades, rippers and/or ground engaging rippers.

LANDFILL

The TD-25M is built to excel in landfills, where it can deliver excellent waste compaction and be fitted with large blades with trash racks and self-cleaning tracks shoes. The Landfill Special Features Request (SFR) application pack offers extensive protection throughout the dozer to reduce impact from airborne and ground level debris, as well as providing consistently clean air to the cab, cooling and induction systems.

MINING & AGGREGATES

Dressta mining dozers are engineered to perform in a wide range of tasks, including stockpile management, ripping materials, removing overburden and building and maintaining haul roads.



GPS FLEET MANAGEMENT

All of Dressta's models can be fitted with a GPS system so you can easily see where your equipment is, what it is doing and how productive it is, utilising user-friendly

GRADE CONTROL SYSTEM

Trimble systems are available to improve productivity during levelling operations. Grade control systems can help you finish jobs with less rework, less staking, less

Keeping you on the job 24/7

Dressta knows that its equipment is put to the test each and every day, and its machines are engineered to stand up to the challenges and demands of the toughest jobs.

WARRANTY

When you purchase a Dressta dozer, your investment is backed by one of the most comprehensive warranties in the industry. In addition to the standard 12 month warranty, Dressta offers extended warranty protection programs for additional peace of mind.

EASY PARTS SUPPLY

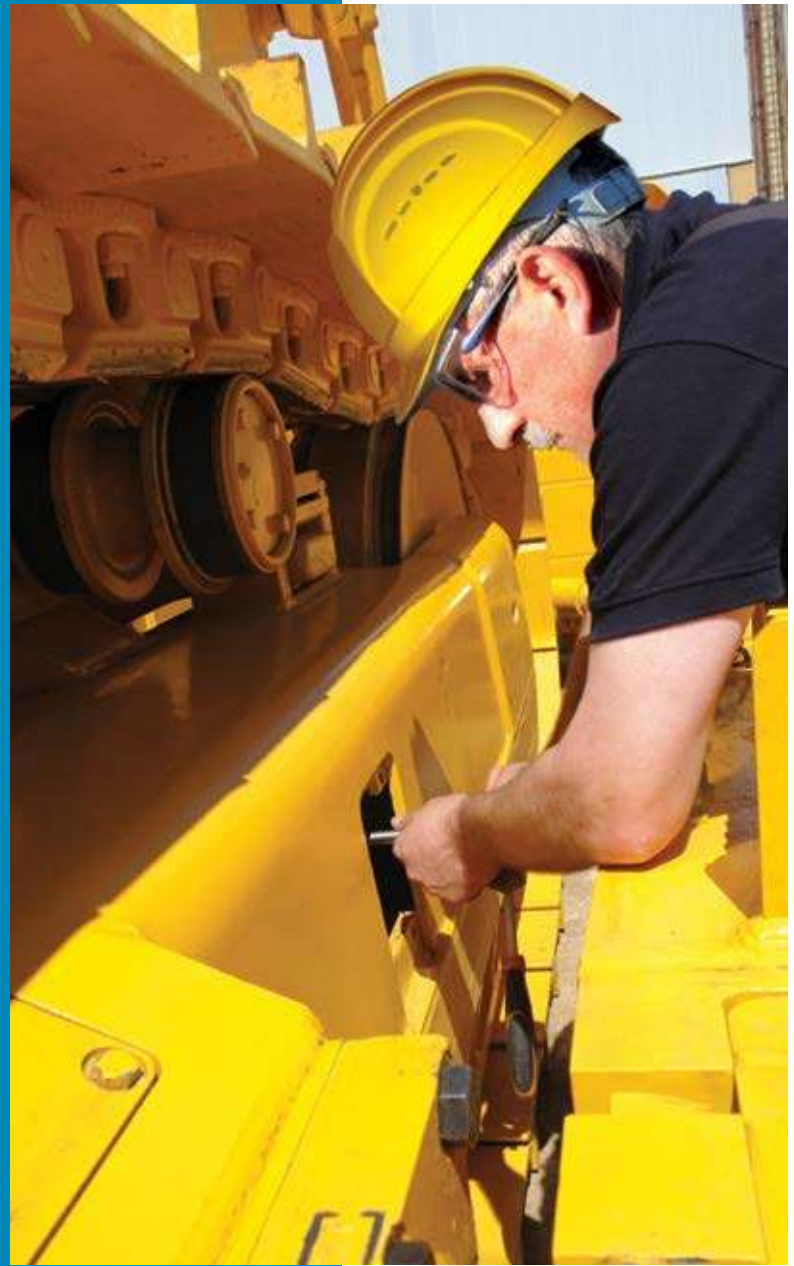
Genuine Dressta parts are engineered to fit right the first time and to provide the highest levels of performance and reliability while meeting strict quality controls. The global parts network, with seven regional distribution centers and advanced logistics systems, means you can be assured of rapid parts supply of whatever you need, wherever you are.

GET THE MOST OUT OF YOUR EQUIPMENT

Dressta's stringent quality assurance ensures all products meet the exact needs of customers. Technical support teams offer fast access to factory expertise and information systems while ongoing after-sales support is available via dealerships with factory trained engineers who are available as and when you require.



Our products are supplied worldwide through a well-established network of independent distributors who are as passionate about the industry as you are.



ENGINE

	TD-25M (EPA Tier 3/EU Stage IIIA)	TD-25M (EPA Tier 4f/EU Stage V)
Make and model	Cummins QSX15	Cummins X15
Emissions standard	EPA Tier 3/EU Stage IIIA	EPA Tier 4f/EU Stage V
Displacement	15 l (912 in ³)	15 l (912 in ³)
Bore and stroke	137 x 169 mm (5.39 x 6.65 in)	137 x 169 mm (5.39 x 6.65 in)
Gross horsepower, SAE J1995	280 kW (381 hp)	280 kW (381 hp)
Net horsepower, SAE J1349/ISO 9249 at the max. speed of hydraulic fan	277 kW (377 hp) 246 kW (334 hp)	277 kW (377 hp) 246 kW (334 hp)
Rated rpm	1800	2000
Max. torque	1825 Nm (1,346 lb-ft)	2169 Nm (1600 lb-ft) @ 1200 rpm
Air cleaner	2-stage, dry type, with dash mounted electronic service indicator and turbo air precleaner	Cummins Filtration Direct Flow™, dry type, with dash-mounted electronic service indicator and turbo air precleaner
Cold-starting aid	Intake-mounted air-inlet grid heater	Ether start
Slope operation, max. angle	45°	45°

COOLING

	TD-25M
Type	Suction-type variable-speed fan, hydraulically driven with perforated engine side sheets and heavy duty louvered front grill.
Engine coolant rating	-37°C (-34°F)

OPERATOR STATION

	TD-25M
ROPS	ROPS (ISO 3471 - 2008)
FOPS	FOPS (ISO 3449 - 2005)

UNDERCARRIAGE

	TD-25M (EPA Tier 3/EU Stage IIIA)	TD-25M (EPA Tier 4f/EU Stage V)
Type	Rigid	Rigid
Suspension	Oscillation-type with equalizer bar and forward mounted pivot shafts.	Oscillation-type with equalizer bar and forward mounted pivot shafts.
Tracks	Large deep-heat-treated, sealed, and lubricated track links and through-hardened, sealed, and lubricated rollers for maximum wear resistance.	
Track gauge	2140 mm (7 ft)	2140 mm (7 ft)
Track shoe width	560 mm (22 in.)	560 mm (22 in.)
Chain	Sealed and lubricated	Sealed and lubricated
Shoes, each side	38	39
Track rollers, each side	7	7
Bogies, each side	-	-
Track length on ground	3150 mm (10 ft 4 in.)	3270 mm (10 ft 9 in.)
Ground contact area	35000 cm ² (5,456 sq. in.)	36 600 cm ² (5,673 sq. in.)
Ground pressure	102 kPa (14.8 psi)	96 kPa (13.9 psi)
Track pitch	250 mm (9.86 in.)	250 mm (9.86 in.)
Sprocket segments, each side	8	8

POWERTRAIN

	TD-25M (EPA Tier 3/EU Stage IIIA)		TD-25M (EPA Tier 4f/EU Stage V)		
Transmission	Single stage 415 mm (16 in.) torque converter with a 2.45:1 stall ratio drives to transmission through a triple universal joint. Modular, countershaft type power shift transmission, electro-hydraulic control. Preset travel speed selection and auto-downshift.		Single stage 415 mm (16 in.) torque converter with a 2.45:1 stall ratio drives to transmission through a double universal joint. Modular, countershaft type power shift transmission, electro-hydraulic control. Preset travel speed and auto-downshift.		
Steering	Exclusive 2-speed geared steering module provides gradual turns while maintaining full power to both tracks plus conventional clutch-brake performance for tight or pivot turns. Coupled to 3-speed transmission, the 2-speed steering provides 6 speeds forward and 6 reverse. The left hand joystick controls transmission and steering drive for up and down shifting, steering, Hi/Lo selection and LH/RH gradual turn.		Exclusive 2-speed geared steering module provides gradual turns while maintaining full power to both tracks plus conventional clutch-brake performance for tight or pivot turns. Coupled to 3-speed transmission, the 2-speed steering provides 6 speeds forward and 6 reverse. The left hand joystick controls transmission and steering drive for up and down shifting, steering, Hi/Lo selection and LH/RH gradual turn.		
Final drives	Double-reduction planetary type final drives mounted independently of track frames and dozer push frames for isolation from shock loads.		Double-reduction planetary type final drives mounted independently of track frames and dozer push arms for isolation from shock loads.		
Total ratio	25.5 to 1		25.5 to 1		
Maximum drawbar pull	791 kN (177,150 lbf)		794 kN (178,498 lbf)		
Travel speeds	Forward	Reverse	Forward	Reverse	
1st	Low	3.0 km/h (1.9 mph)	3.7 km/h (2.3 mph)	3.0 km/h (1.9 mph)	3.7 km/h (2.3 mph)
	High	3.9 km/h (2.4 mph)	4.7 km/h (2.9 mph)	4.0 km/h (2.5 mph)	4.8 km/h (3.0 mph)
2nd	Low	5.1 km/h (3.2 mph)	6.1 km/h (3.8 mph)	5.1 km/h (3.2 mph)	6.1 km/h (3.8 mph)
	High	6.6 km/h (4.1 mph)	7.9 km/h (4.9 mph)	6.6 km/h (4.1 mph)	7.9 km/h (4.9 mph)
3rd	Low	8.0 km/h (5.0 mph)	9.6 km/h (6.0 mph)	8.0 km/h (5.0 mph)	9.6 km/h (6.0 mph)
	High	10.3 km/h (6.4 mph)	12.3 km/h (7.6 mph)	10.3 km/h (6.4 mph)	12.3 km/h (7.6 mph)
Brakes					
Service	Spring applied hydraulically released multi-disc wet brakes. Foot pedal linkage control.		Spring applied hydraulically released multi-disc wet brakes. Foot pedal linkage control.		
Parking	The steering brakes also act as service and parking brakes. Service brakes are locked automatically when the transmission safety lever is actuated or when the engine is cut off.		The steering brakes also act as service and parking brakes. Service brakes are locked automatically when the transmission safety lever is actuated or when the engine is cut off.		

HYDRAULICS

	TD-25M (EPA Tier 3/EU Stage IIIA)	TD-25M (EPA Tier 4f/EU Stage V)
Type	Open-center hydraulic system with fixed-displacement multiple-pump vane type	Open-center hydraulic system with fixed-displacement multiple-pump vane type
Pump displacement	313.5 l/min (82.8 gpm)	313.5 l/min (82.8 gpm)
System relief pressure	Blade lift & ripper 17.2 MPa (2,500 psi); blade tilt 18.4 MPa (2,670 psi)	Blade lift & ripper 17.2 MPa (2,500 psi); blade tilt 18.4 MPa (2,670 psi)
Control	Single joystick lever	Single joystick lever

ELECTRICAL

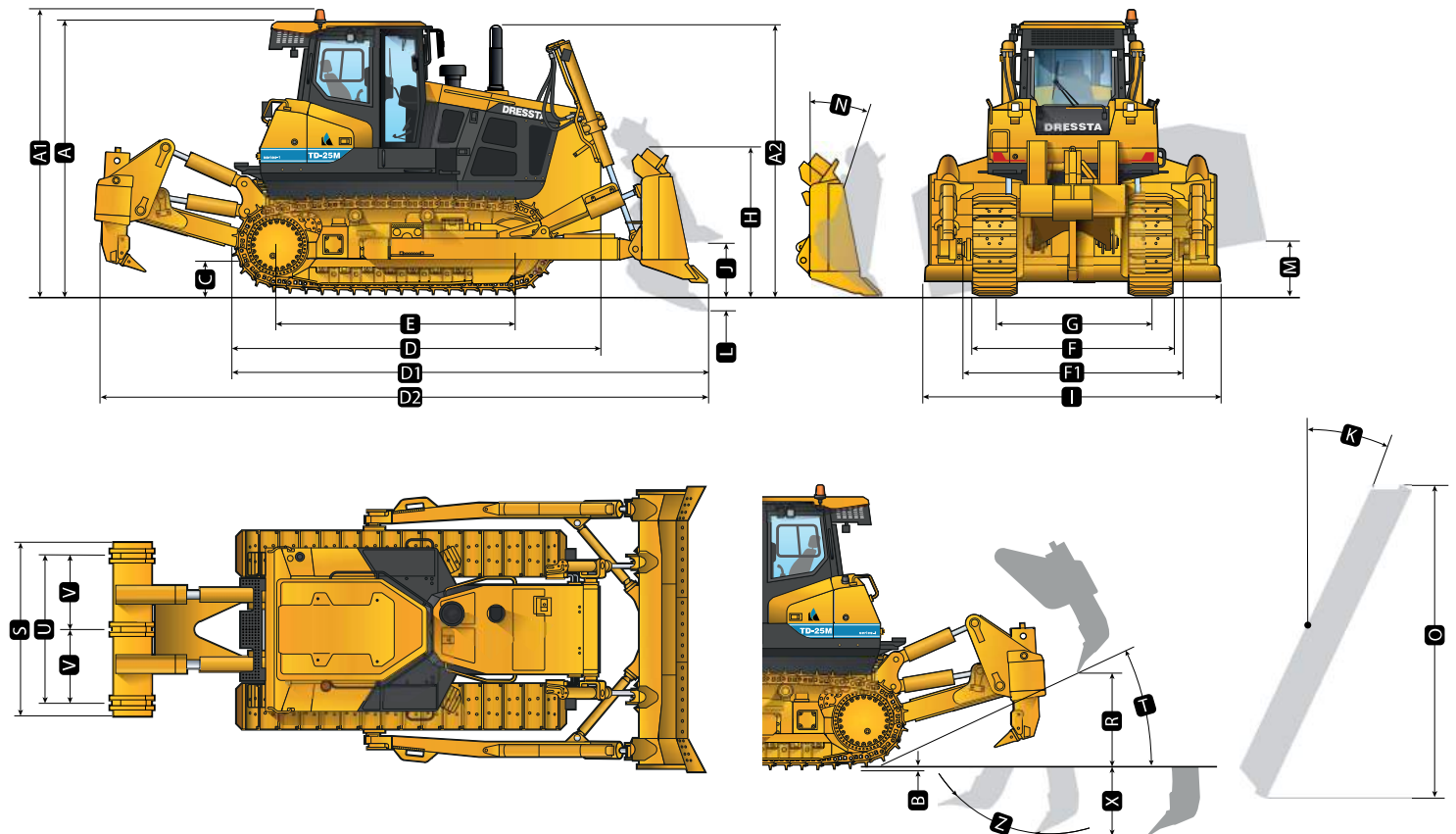
	TD-25M (EPA Tier 3/EU Stage IIIA)	TD-25M (EPA Tier 4f/EU Stage V)
Voltage	24 V	24 V
Number of batteries	4	4
Battery capacity	1920 CCA	1920 CCA
Alternator rating	105 A	105 A
Lights	10 total; cab mounted (side: 2 LH & 2 RH and 2 rear), 25 W incandescent (2 LH, 2 RH and 2 rear), 25 W LED (2 LH, 2 RH and 2 rear)	10 total; cab mounted (side: 2 LH & 2 RH and 2 rear), 25 W incandescent (2 LH, 2 RH and 2 rear), 25 W LED (2 LH, 2 RH and 2 rear)

SERVICEABILITY

	TD-25M (EPA Tier 3/EU Stage IIIA)	TD-25M (EPA Tier 4f/EU Stage V)
Refill capacities		
Fuel tank	830 l (219 US gal.)	770 l (203 US gal.)
Cooling system	66 l (17.4 US gal.)	66 l (17.4 US gal.)
Engine oil	49 l (13 US gal.)	49 l (13 US gal.)
Transmission system	240 l (63 US gal.)	240 l (63 US gal.)
Final drive, each side	64 l (16.9 US gal.)	64 l (16.9 US gal.)
Hydraulic reservoir	131 l (34 US gal.)	131 l (34 US gal.)
Adblue	NA	38 l (10 US gal.)

OPERATING WEIGHTS

	TD-25M (EPA Tier 3/EU Stage IIIA)	TD-25M (EPA Tier 4f/EU Stage V)
Type	Rigid	Rigid
Base weight with Semi-U blade w/tilt, single-shank ripper, standard equipment, cab ROPS/FOPS, full fuel tank, and 79 kg [175 lb.] operator	41 500 kg (91,491 lb)	41 250 kg (90,940 lb)
Optional components		
Ripper w/3 shanks	456 kg (1,874 lb.)	
Track shoes		
610 mm (24 in.)	+ 225 kg (495 lb)	+ 231 kg (509 lb)
660 mm (26 in.)	+ 474 kg (1,045 lb)	+ 487 kg (1,074 lb)
711 mm (28 in.)	+ 655 kg (1,445 lb)	+ 667 kg (1,470 lb)



MACHINE DIMENSIONS

	TD-25M (EPA Tier 3/EU Stage IIIA)		TD-25M (EPA Tier 4f/EU Stage V)	
Type	Rigid		Rigid	
A Overall height - FOPS cab	3 743 mm (12 ft. 3 in.)		3 743 mm (12 ft. 3 in.)	
A1 Overall height - Beacon	3 910 mm (12 ft. 10 in.)		3 910 mm (12 ft. 10 in.)	
A2 Overall height - end of exhaust pipe	3 699 mm (12 ft. 11 in.)		3 759 mm (12 ft. 4 in.)	
B Grouser height	76 mm (3 in.)		76 mm (3 in.)	
C Ground clearance	576 mm (22.6 in.)		576 mm (22.6 in.)	
D Overall length, base machine	5 070 mm (16 ft. 7 in.)		5 070 mm (16 ft. 7 in.)	
E Track length on ground	3 150 mm (10 ft. 4 in.)		3 270 mm (10 ft. 4 in.)	
F Width over track	2 700 mm (8 ft. 10 in.)		2 700 mm (8 ft. 10 in.)	
G Track gauge	2140 mm (7 ft.)		2 140 mm (7 ft.)	
	TD-25M (EPA Tier 3/EU Stage IIIA) / (EPA Tier 4f/EU Stage V)			
Blade type	Semi-U	Full-U	Angle	Coal
D1 Length with blade and drawbar	6 880 mm (22 ft. 7 in.)	7 150 mm (23 ft. 5 in.)	6 890 mm (22 ft. 7 in.)	7 530 mm (24 ft. 8 in.)
D2 Length with blade and 1-shank / 3-shank ripper	8 940 mm/8 380 mm (29 ft. 4 in./27 ft. 6 in.)	9 210 mm/8 650 mm (29 ft. 4 in./27 ft. 6 in.)	8 950 mm/8 390 mm (29 ft. 4 in./27 ft. 6 in.)	9 030 mm (29 ft. 8 in.)
F1 Width over trunnions	3 210 mm (10 ft. 6 in.)	3 210 mm (10 ft. 6 in.)	3 210 mm (10 ft. 6 in.)	3 210 mm (10 ft. 6 in.)

BLADE SPECS

	TD-25M			
Type	Semi-U	Full-U	Angle	Coal
SAE capacity	9.6 m ³ (12.5 cu. yd.)	11.5 m ³ (15.0 cu. yd.)	5.7 m ³ (7.4 cu. yd.)	21.0 m ³ (27.5 cu. yd.)
H Blade height	1 760 mm (5 ft. 9 in.)	1 760 mm (5 ft. 9 in.)	1 260 mm (4 ft. 1 in.)	2 100 mm (6 ft. 11 in.)
I Blade width	4 050 mm (13 ft. 3 in.)	4 350 mm (14 ft. 3 in.)	4 950 mm (16 ft. 3 in.)	5 610 mm (18 ft. 5 in.)
J Blade lift height	1 270 mm (4 ft. 2 in.)	1 270 mm (4 ft. 2 in.)	1 370 mm (4 ft. 6 in.)	1 270 mm (4 ft. 2 in.)
K Blade angle	-	-	25°	-
L Blade digging depth	600 mm (23.6 in.)	600 mm (23.6 in.)	660 mm (26 in.)	600 mm (23.6 in.)
M Maximum tilt	880 mm (34.6 in.)	945 mm (37.2 in.)	435 mm (17.1 in.)	1 220 mm (48 in.)
N Maximum blade pitch adjustment	10°	10°	-	10°
O Overall width with blade angled	-	-	4 590 mm (15 ft. 1 in.)	-

RIPPER

Parallelogram ripper with hydraulic pitch adjustment

	TD-25M		
	Standard	Deep	Multi-shank (3-shank)
R Maximum clearance under tip (raised)	770 mm (30.3 in.)	760 mm (29.9 in.)	868 mm (34.2 in.)
S Overall beam width	1 450 mm (57 in.)	1 450 mm (57 in.)	2 485 mm (98 in.)
T Slope angle (fully raised)	30.8°	30.8°	30.8°
U Ripping width	-	-	2 134 mm (84 in.)
V Spacing center to center	-	-	1 067 mm (42 in.)
X Maximum penetration	1 250 mm (49.2 in.)	1 700 mm (66.9 in.)	760 mm (29.9 in.)
Z Maximum pitch adjustment	25.1°	25.1°	25.1°
Penetration force	132.5 kN (29,768 lb.)	132.5 kN (29,768 lb.)	131.2 kN (29,494 lb.)
Pryout force	377.7 kN (84,907 lb.)	377.7 kN (84,907 lb.)	353.5 kN (79,467 lb.)
Shank positions (vertical)	4	6	2
Weight of ripper w/ 1 shank	5280 kg (11,640 lb.)	5370 kg (11,840 lb.)	5100 kg (11,245 lb.)

STANDARD EQUIPMENT

ENGINE

TD-25M (Tier 3)

Engine, Cummins QSX15, EPA Tier 3/EU Stage IIIA, emission certified, turbocharged, direct start, direct injection, 277 kW (377 hp)

Air cleaner, dry type with turbo air precleaner and electronic service indicator

Antifreeze, -34°F (-37°C)

Cooling module; includes radiator, transmission oil cooler, hydraulic oil/fan drive oil cooler, fuel cooler, charge air cooler (CAC); isolation mounted

Coolant filter conditioner

Exhaust resonator with elbow

Fan, hydraulically driven, suction type, variable speed

Filters, engine oil, full flow and by-pass with replaceable “spin-on” elements

Fuel strainer

Muffler, under engine hood, insulated

Water separator, fuel system

Filtration system for contaminated fuel

TD-25M (Stage V)

Engine, Cummins X15, EPA Tier 4f/EU Stage V, emission certified, turbocharged, with High Pressure Injection (HPI), Selective Catalytic Reduction (SCR), Electronic Controls (ECM), 277 kW (377 hp)

Air cleaner, Cummins Filtration Direct Flow™, dry type with turbo air precleaner and electronic service indicator

Antifreeze, -34°F (-37°C)

Cooling module; includes radiator, transmission oil cooler, hydraulic oil/fan drive oil cooler, fuel cooler, charge air cooler (CAC); isolation mounted

Coolant filter conditioner

Diesel Particulate Filter with catalyst (DPF)

Exhaust resonator with elbow

Fan, hydraulically driven, suction type, variable speed

Filters, engine oil, full flow and by-pass with replaceable “spin-on” elements

Fuel strainer

Water separator, fuel system

DRIVETRAIN

Torque converter, single stage

Transmission, power shift, 3 speeds forward, 3 reverse, combined with 2 speed steering provides 6 speeds forward, 6 reverse, preset travel speed selection and auto-downshift

Steering, planetary type, 2 speed, left hand single lever control (joystick)

Filters, power train, equipment hydraulics, “spin-on” micro glass type

Brakes, foot, spring applied, hydraulically released

Decelerator - right foot pedal, and brake - center foot pedal

OPERATOR'S ENVIRONMENT

Air conditioner/heater/pressurizer/defroster, behind roof mounted

AM/FM radio with Bluetooth® and USB socket

Cab ROPS/FOPS integrated, sound suppression, 4 wipers w/washers, inside mirror, dome light, tinted safety glass, 2 sliding side windows, rear glass heated, air recirculation system, (approved according to ROPS - EN ISO 3471 and FOPS - EN ISO 3449)

Mirrors, 2 pcs, exterior

Seat, air suspension type, fabric cover, adjustable, high back, fixed 15° to the right

Arm rests

Seat belt (EN ISO 6683) - 3” wide, retractable

Sun visor for front cab window

Fire extinguisher

First aid kit

INSTRUMENTATION

TD-25M (Tier 3)

Electronic Monitoring System, LCD display:

Normal and diagnostic operating modes for engine and drive train, hourmeter, gear, range

Gauges: voltmeter (battery charge), drive train oil temperature, fuel level, coolant temperature, tachometer (engine rpm)

Engine and drive train diagnostics program indicator lights

Warning lights - filters: air cleaner filter, fan drive system filter, hydraulic oil filters, drive train pressure filter

Audible alarm for low coolant level, low engine oil pressure, high coolant temperature

Rear view camera

Integrated rear view camera display

TD-25M (Stage V)

Electronic Monitoring System, LCD display:

Normal and diagnostic operating modes for engine and drive train, hourmeter, gear, range

Gauges: voltmeter (battery charge), drive train oil temperature, fuel level, coolant temperature, tachometer (engine rpm), AdBlue® tank level

Engine and drive train diagnostics program indicator lights

Warning lights: engine ECM status, high drive train oil temperature, low coolant level, low engine oil pressure, high coolant temperature, low fuel level, high exhaust system temperature, AdBlue® tank low level, battery charge level, low transmission/clutch oil pressure

Warning lights - filters: air cleaner filter, exhaust system (SCR) filter, fan drive system filter, hydraulic oil filters, drive train pressure filter

Audible alarm for low coolant level, low engine oil pressure, high coolant temperature

Rear view camera

Integrated rear view camera display

ELECTRICAL

Alarm, back-up

Alternator 105 A (Tier 3), 110 A (Stage V)

Batteries (4) 12 V, 1920 CCA, cold start, maintenance free

Beacon light, rotating

Horn, electric

Lights on cab, cab side mounted - 2 LH & 2 RH; 2 rear, LED

Lights with guards, 2 front - lift cylinders mounted, 2 rear - fuel tank & hydraulic tank mounted, LED

Portable lamp receptacle, 12 V

Receptacle, starting/charging plug

Starting, 24 V

Starting aid - air grid heater (Tier 3 only)

UNDERCARRIAGE

Sprocket, segmented - 8 segments each side

Track adjusters, hydraulic

Track chain, sealed and lubricated (LTS) with split master link, 38 links (Tier 3), 39 links (Stage V)

Track chain guides, integral

Track frame, 7 roller, 2 140 mm (84”) gauge, oscillating type, lifespan lubricated rollers and idlers

Track shoes, 560 mm (22”), grouser type

GUARDS

Crankcase, hinged, with front pull hook, transmission, fan, radiator, sprocket rock and dirt deflector

Engine hood, solid, sloped

Engine side doors, hinged, perforated type

Final drive seal guard

Radiator guard doors, louvered, two-piece, hinged

HYDRAULIC CONTROLS

3-spool valve, 1 lever with pilot operated blade control (lift/tilt), ready for ripper

OTHER STANDARD EQUIPMENT

Cylinders, lift, with quick drop valve

Diagnostic centers for power train and equipment hydraulic pressures

Drawbar, fixed

Ecological drains for engine oil, radiator coolant and hydraulic oil

Manuals: parts and operator's

Maintenance tool kit (includes grease gun)

Shovel, fuel tank mounted

Rear access platform

Tools compartment

Vandalism protection, one key for all locks

OPTIONAL EQUIPMENT

BLADE EQUIPMENT

D-2 Semi-U Dozer, 9.6 m³ (12.5 yd³), complete with all blade components, blade includes reinforced center push plate, with hydraulic tilt and manual pitch or hydraulic tilt/pitch

For coal application, spill guard on blade available

U-2 Full-U Dozer, 11.5 m³ (15 yd³), complete with all blade components, blade includes reinforced center push plate, with hydraulic tilt and manual pitch or hydraulic tilt/pitch

For coal application, spill guard on blade available

Coal Dozer, 21.0 m³ (27.5 yd³) for coal application, spill guard on blade available, complete with all blade components, blade includes reinforced center push plate, with hydraulic tilt and manual pitch or hydraulic tilt/pitch

G-2 Angle Dozer (manual angle), 5.7 m³ (7.4 yd³), complete with all blade components, with or without hydraulic tilt

REAR MOUNTED EQUIPMENT

Drawbar, counterweight, 1 860 kg (4 100 lbs)

Additional counterweight (cast), 2 004 kg (4 410 lbs); recommended for use with large coal or landfill blades

Ripper, multi-shank with three shanks, partially mounted, with hydraulic pitch, includes deduct for drawbar, includes additional ripper light, LED, ripper frame mounted

Ripper single-shank beam, with hydraulic pitch, standard or deep dig, with electro-hydraulic pin puller and shank, partially mounted, includes deduct for drawbar, includes additional ripper light, LED, ripper frame mounted

TRACK SHOES

610 mm (24") shoes

660 mm (26") shoes, clipped corner

711 mm (28") shoes, clipped corner (not recommended for use with ripper)

OPERATOR'S ENVIRONMENT

For use with cab:

- Air recirculation system with MSHA filters, severe service
- Heated mirrors, 2 pcs, exterior
- Seat, heated, air suspension type, fabric cover, high back, adjustable (includes empty seat sensor and belt sensor)
- Sun visors (2), additional, for side door windows
- Additional cab lights, 2 front, LED

SCREENS

Sweeps, forestry, front and rear, for standard cab. Include guard for fuel tank and hydraulic reservoir

Screens for cab windows, (front, side, doors and rear) hinged, black painted

Screens for cab lights (4 side - 2 RH & 2 LH, 2 rear), black painted

Screens for tractor lights (2 front, 2 rear)

Screens for additional 2 front cab lights

GUARDS

Final drive rock guard

Radiator door screen, for coal application

Track roller guards, full length

Transmission and engine crankcase guards, severe service

Electrical winch for engine crankcase guard

Electrical winch for transmission guard

Engine hood, perforated

ADDITIONAL OPTIONS

Emergency brake release system

Ether start (only Stage V)

Exhaust pipe, chrome

Fast fill - fuel tank

Inspection lamp, 12 V, portable, with 6 m (20') cable

Sound suppression package, for use with std solid or perforated hood

Starting/charging receptacle plug assembly (required to jump start or charge batteries) with 15 ft cable

1000 h maintenance package (filters)

2000 h maintenance package (filters)

EXPORT PACKING

Export packing, drive-on/drive-off, machine on the trailer

Export packing, drive-on/drive-off, machine on the railway wagon

FACTORY FIT OPTIONS

Centralized Lubricating System, for machine with or without ripper

Specifications may change from time to time and this brochure may not reflect the latest specifications. Photographs in this brochure may not reflect market configuration. Please consult your dealer to confirm specifications and configurations.



Dressta encourages safe worksites.
Please consult operator's manual before use of any Dressta equipment.



info@dressta.com
www.dressta.com

DR-PB-TD25S1-T3-StageV-24-19052020-ENG

